

**Audi**

**Important!**

Please give copies to  
all your Audi Technicians

# Technical Bulletin

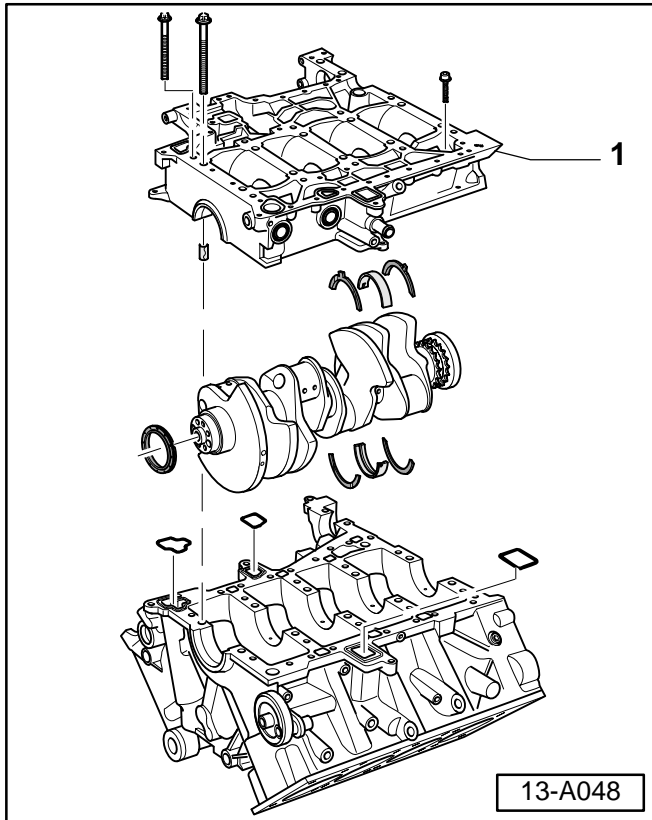
Subject: Repair Information for Engine Guide Frame

Group: 13

Number: 04-05

Model(s): S4 with 4.2L (Eng. Code BHF) & 2004 ▶ 2005  
allroad with 4.2L (Eng. Code BAS) 2004 ▶ 2005

Date: Sept. 27, 2004



## Service

◀ The repair information needed to reseat the upper portion of engine guide frame -1- is now available in AESIS.

- ◆ See 4.2 Liter V8 5V Engine Mechanical, Engine Code(s): BHF, Group 13 - Crankshaft Assembly.

### Note:

*Above information can be used for allroad engine 4.2 Liter V8 5V (BAS), until AESIS is updated.*