



Important!

Audi

Please give copies to
all your Audi Technicians

Technical Bulletin

Subject: Cooling System Performance (Low Heater Output)

Group: 19

Number: 05-02

**Model(s): S4
allroad**

**2005 (see Table)
2004, 2005**

Date: Apr. 11, 2005

Condition

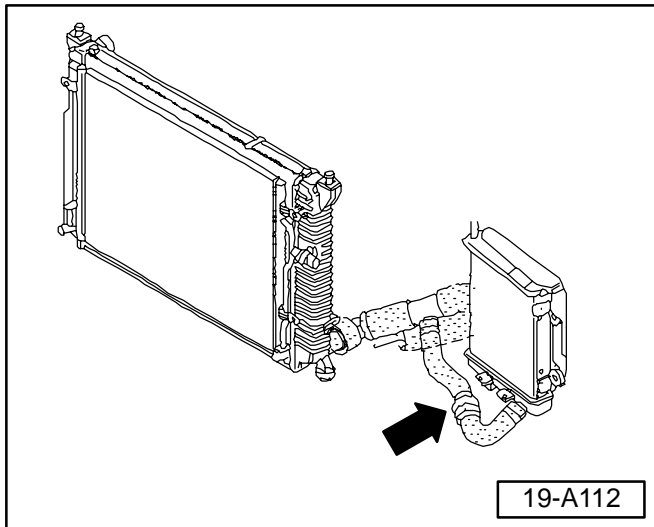
Low heater output may be due a sticking non-return valve in the hose from radiator to left auxiliary radiator.

If the valve is sticking, the engine takes too long to warm up when the outside temperature is below 32°F.

DTC P2181, "cooling system performance" may be stored in DTC memory.

Model	Engine / Eng. Code	Model Year
S4	4.2L BHF	2005 from VIN: 8E_5A023001
S4 Cabriolet	Excluded*	Excluded
allroad	4.2L BAS	2004, 2005

*) S4 Cabriolet is excluded due to different hose configuration.



Service

Check coolant flow as follows:

allroad

- ◀ – Check cooling system by clamping off coolant hose (arrow) between non-return valve and left auxiliary radiator.

With coolant hose clamped off:

- Check engine warm up performance.

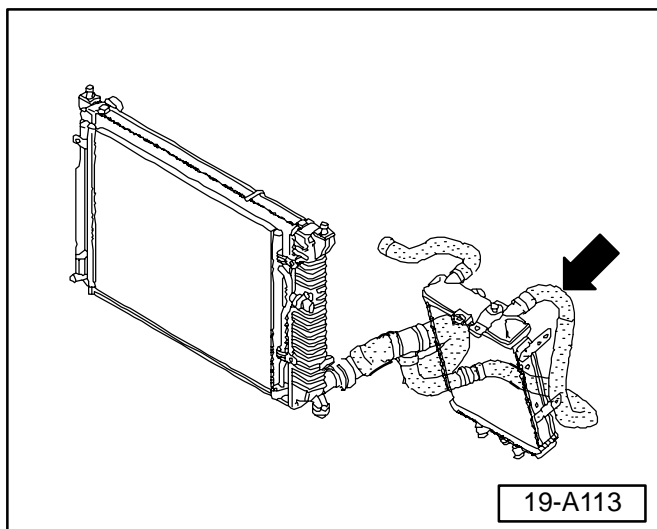


Important!

Audi

Please give copies to
all your Audi Technicians

Technical Bulletin



S4

- ◀ – Check cooling system by clamping off coolant hose (arrow) between non-return valve and left auxiliary radiator.

With coolant hose clamped off:

- Check engine warm up performance.

If engine warms up faster when coolant hose is clamped off:

- Install new coolant hose with non-return valve (arrow).

S4 - install Part No: 8E0 121 055 AC

Allroad - install Part No: 4Z7 121 054



Tip:

- ◆ *Coolant hose includes non-return valve, valve is not available separately. Hose runs from bottom of radiator to the left auxiliary radiator.*

- ◆ *Only improved parts are available.*

Part numbers listed in this bulletin are for reference only. Always check with your Parts Dept. for the latest parts information.

When procedure applies to vehicles within the New Vehicle Limited Warranty, use the following:

Claim Type:	W2
Part Identifier:	1962
Damage Code:	1962 10 ___ * 2
Diagnostic Time:	No Diagnostic Time Allowed
Labor Operation:	1962 9999 110TU

Claim Comment: Input "As per Technical Bulletin A190502" into comment section of warranty claim.

*) Code per warranty vendor code policy